

DIMENSIONS (mm)

RIF	CT-xxx/5-11	CT-xxx/5-12
A / D	26	31
E	31	48
F	44	47
G	62	74
H	11	11
M	21	21
N	26	31
O	30	33
P / U	78	98
Q	35	45
R	55	67
S	71	81
T	47	61
V	6.6	6.6

MODEL CT-xxx/5-11			
Primary Current	Cl. 0,5 VA	Cl. 1 VA	Order Code
50 A	-	1,5	CT-50/5-11
100 A	2,5	2,5	CT-100/5-11
150 A	2,5	5	CT-150/5-11
200 A	5	5	CT-200/5-11
300 A	5	5	CT-300/5-11

BUSBAR CURRENT TRANSFORMERS

SECONDARY 5A

COMMON TECHNICAL FEATURES

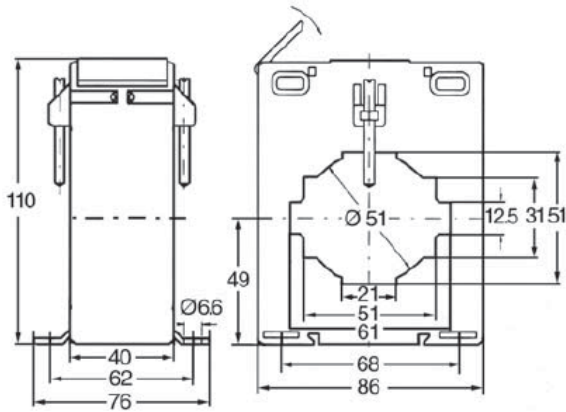
- Enclosure: Abs Self-Extinguishing Case
- Current To The Secondary: 5 A (other on request)
- Working Frequency: 40-60 Hz
- Dynamic Nominal Current Of Short Circuit (I_{din}): 2,5 I_{ter} per 1 sec - Max peak value that the CT can bear having the secondary in short circuit
- Thermal Nominal Current Of Short Circuit (I_{ter}): 40-80 I_{pn} per 1 sec - Max effective value with secondary in short circuit
- Standing Overcurrent: 1,2 I_n
- Voltage Insulating Reference: 0,72kV Maximum Voltage Value
- Testing Voltage: 3kV a 50 Hz per 1 min., max voltage value, between primary and secondary
- Safety Value: N ≤ 5 Saturation Factor (S_f) or ratio between primary current value (that cause the magnetic core saturation), and the nominal current value. the lower is the n value the higher is the instrument protection
- Working Temperature: -25°...+50°C
- Storage Temperature: -40°...+80°C
- Max Temp Of The Passing Cable: 70°C
- Relative Humidity: 90% max, not condensing
- Insulation On Air: E class
- Protection Degree: IP 30
- Construction Standard: Cei 38-1, Iec 185, Vde 0414, En60044-1, En60044-1

MODEL CT-xxx/5-12			
Primary Current	Cl. 0,5 VA	Cl. 1 VA	Order Code
300 A	-	1,5	CT-300/5-12
400 A	2,5	2,5	CT-400/5-12
600 A	2,5	5	CT-600/5-12
800 A	5	5	CT-800/5-12
1000 A	5	5	CT-1000/5-12

BUSBAR CURRENT TRANSFORMERS

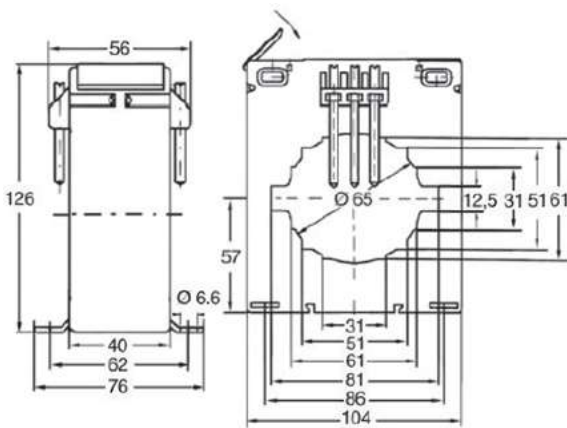
SECONDARY 5A

CT-xxx/5-13



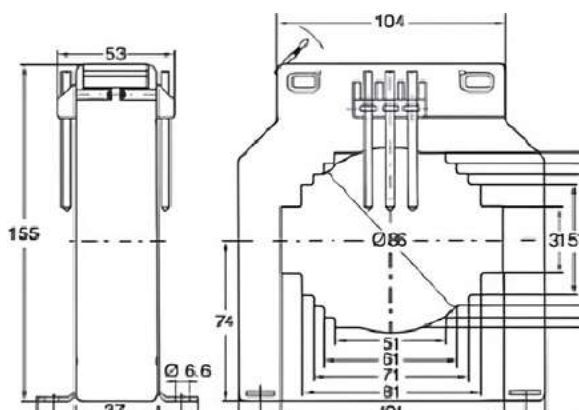
MODEL CT-xxx/5-13			
Primary Current	Cl. 0,5 VA	Cl. 1 VA	Order Code
500 A	10	10	CT-500/5-13
600 A	10	10	CT-600/5-13
800 A	10	20	CT-800/5-13
1000 A	10	20	CT-1000/5-13
1200 A	10	30	CT-1200/5-13

CT-xxx/5-14



MODEL CT-xxx/5-14			
Primary Current	Cl. 0,5 VA	Cl. 1 VA	Order Code
800 A	10	20	CT-800/5-14
1000 A	10	20	CT-1000/5-14
1200 A	10	30	CT-1200/5-14
1500 A	10	30	CT-1500/5-14
2000 A	10	30	CT-2000/5-14

CT-xxx/5-15



MODEL CT-xxx/5-15			
Primary Current	Cl. 0,5 VA	Cl. 1 VA	Order Code
1000 A	15	20	CT-1000/5-15
1200 A	15	30	CT-1200/5-15
1500 A	30	30	CT-1500/5-15
2000 A	30	45	CT-2000/5-15
2500 A	30	45	CT-2500/5-15
3000 A	45	45	CT-3000/5-15
4000 A	45	45	CT-4000/5-15